



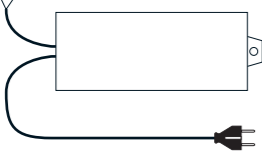
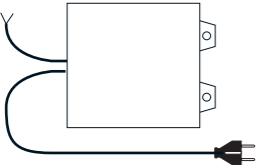


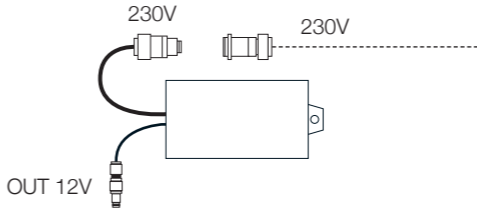
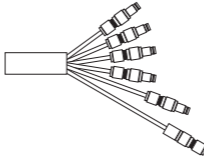
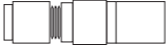

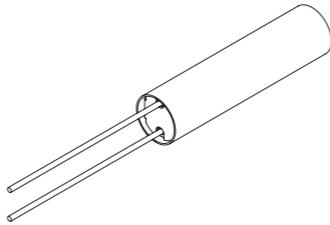
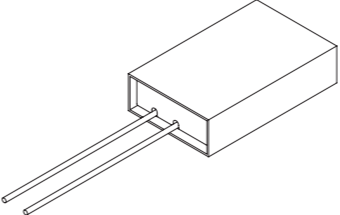


### OUTDOOR: GEL BOX SYSTEM

	<b>MB1</b> Mini gel box IP68
	5,3x3,9x2,4 cm
	(max 2 connections - connectors included)
	<b>MB2</b> Mini gel box IP68
	5,2x5,3x2,9 cm
	(max 6 connections - connectors included)
	<b>KP1</b> Extension cord kit
	5 mt
	with mini gel box IP68 for single connection
	(max 1 lamp)
	<b>ED6</b> Driver 10W 12V DC 220-240V IP67
	7x3,7x2,3 cm / cables 45 cm ca.
	not dimmable
	(max 6 lamps)
	<b>ED7</b> Driver 30W 12V DC 220-240V IP67
	11x3,7x2,3 cm / cable 12V 45 cm ca. / plug cable 200 cm
	not dimmable
	(max 20 lamps)
	<b>ED7D</b> Driver 30W 12V DC 220-240V IP67
	8x8x3 cm / cables 12V 45 cm ca. / plug cable 200 cm
	Triac dimmable
	(max 20 lamps)



### OUTDOOR: QUICK CONNECTORS SYSTEM

	<b>ED6CR</b> Driver 10W 12V DC 220-240V IP67
	230V and 12V connectors included
	3,7x2,3x7 cm - cables 45 cm ca.
	not dimmable
	<b>CRM</b> Quick IP68 multiple connector / 1 IN & 5 OUT 12V
	(max 5 connections)
	<b>CRS</b> Quick IP68 IN single connector
	<b>KP2</b> Extension cord kit with quick IP68 connectors CRS
	5 mt
	(max 1 lamp)
	<b>FKIPL</b> Kit box driver
	Ø 5x20 cm / cable 12V 45 cm / plug cable 200 cm
	not dimmable (driver ED7)
	standard
	<b>FKIPLD</b> Kit box driver
	16x10x4 cm / cable 12V 45 cm / plug cable 200 cm
	Triac dimmable (driver ED7D)
	available on request



## OUTDOOR ACCESSORIES

	<b>MSMP</b> Supporting modular plate
	for More (MR70/MR100/MR130)
	32x32x32 cm
	(max 4 lamps)
	<b>MPT</b> Peg
	for More (MR70/MR100/MR130)
	25 cm
	<b>MSM</b> Supporting plate
	for Medousê F
	31x31 cm ca.
	<b>MDCV</b> Plug cable 230V standard EU (CH available on request)
	for Medousê F
	350 cm

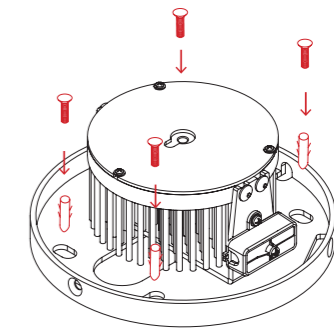


## MEDOUSÊ INSTALLATION SUGGESTIONS

### WARNING

For stability reasons the lamp must be fastened to a solid surface such as a well or basement; in alternative it can be mounted on the modular supporting plate (ref. L / code MSM) available on request. Before installing the lamp, please check the levelling of the soil and make sure that it can support the weight of the fitting.

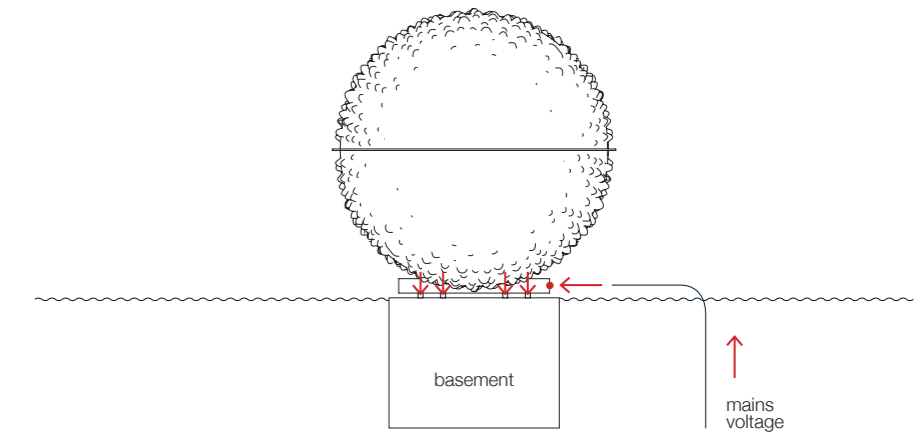
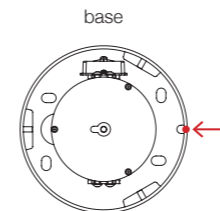
(Medousê weight Ø 30 cm 15 kg / Ø 50 cm 31 kg)



lamp base with holes for the fastening  
(plugs not included)

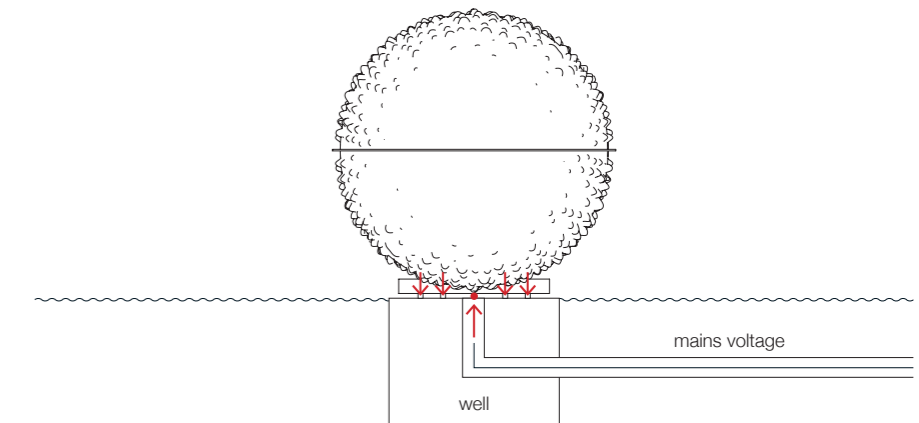
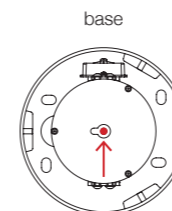
### Example 1

with basement and supply cable from the side



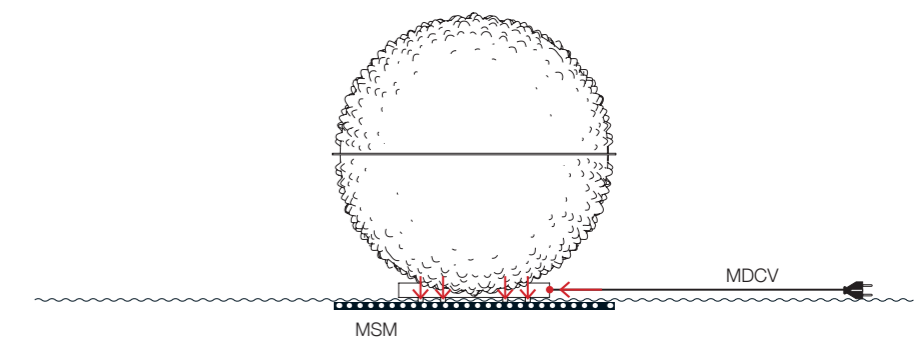
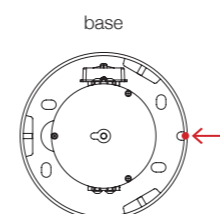
### Example 2

with well and supply cable from underneath



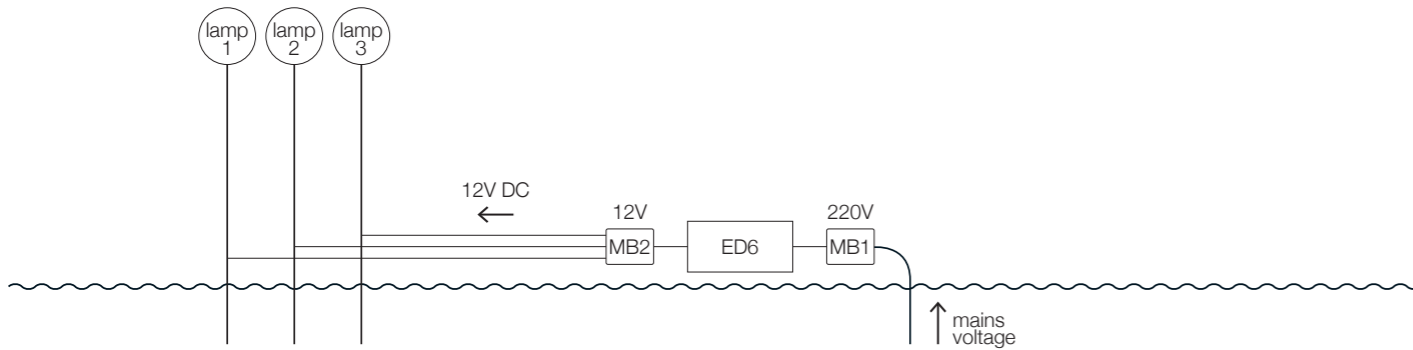
### Example 3

with supporting plate 1x code MSM  
with plug cable 230V 1x code MDCV

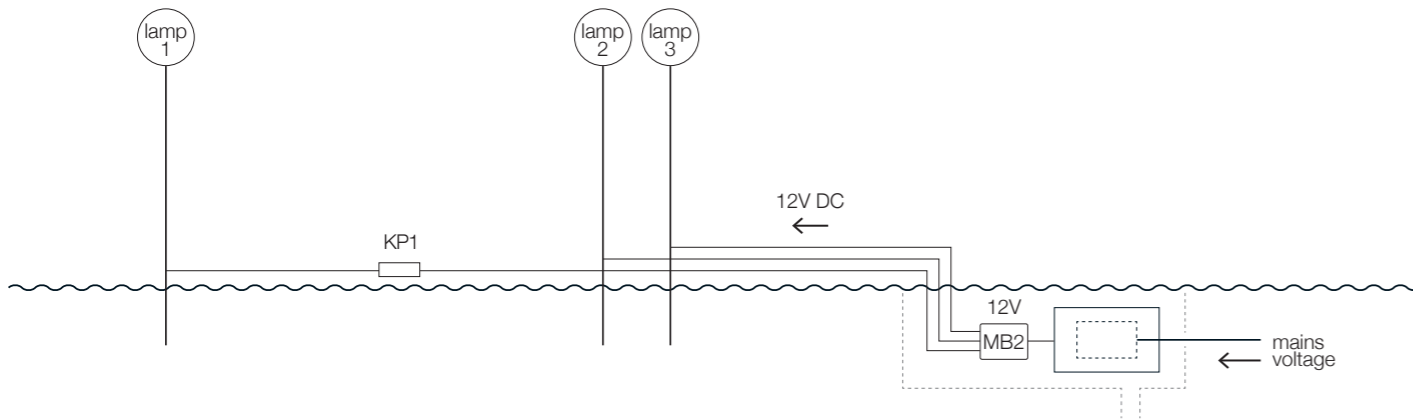


**Installation suggestions for Outdoor / GEL BOX system**

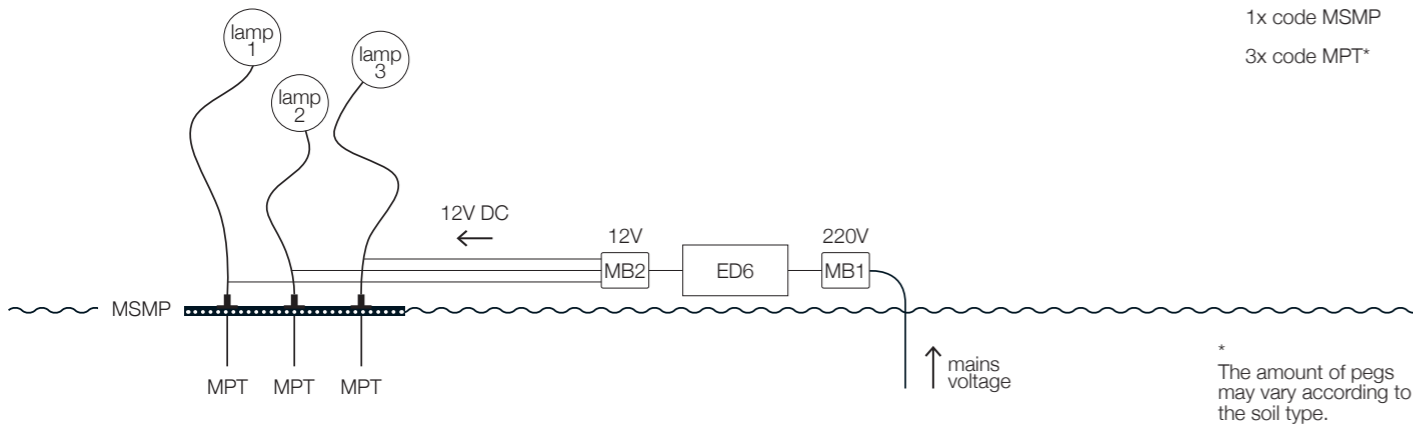
1	Connection type	For models	Power supply	Access. applied
	GEL BOX system (without well)	Syphasera/Syphasera/Syphaduepassi/More	code ED6	1x code ED6 1x code MB1 1x code MB2



2	Connection type	For models	Power supply	Access. applied
	GEL BOX system (with well)	Syphasera/Syphasera/Syphaduepassi/More	provided by client	1x code MB2 1x code KP1

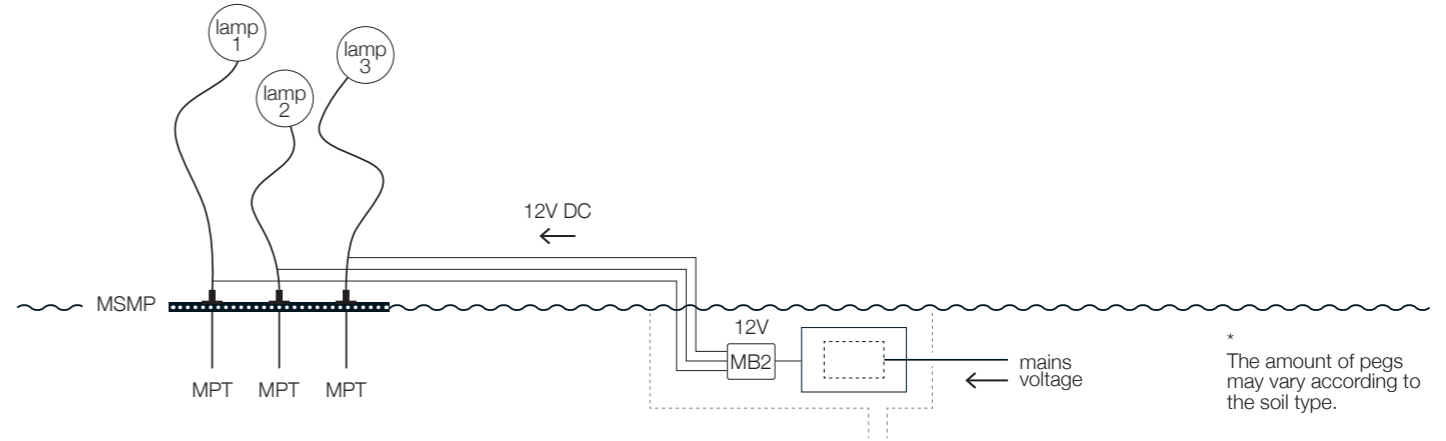


3	Connection type	For models	Power supply	Access. applied
	GEL BOX system (without well)	More (MR70/MR100/MR130)	code ED6	1x code ED6 1x code MB1 1x code MB2 1x code MSMP 3x code MPT*

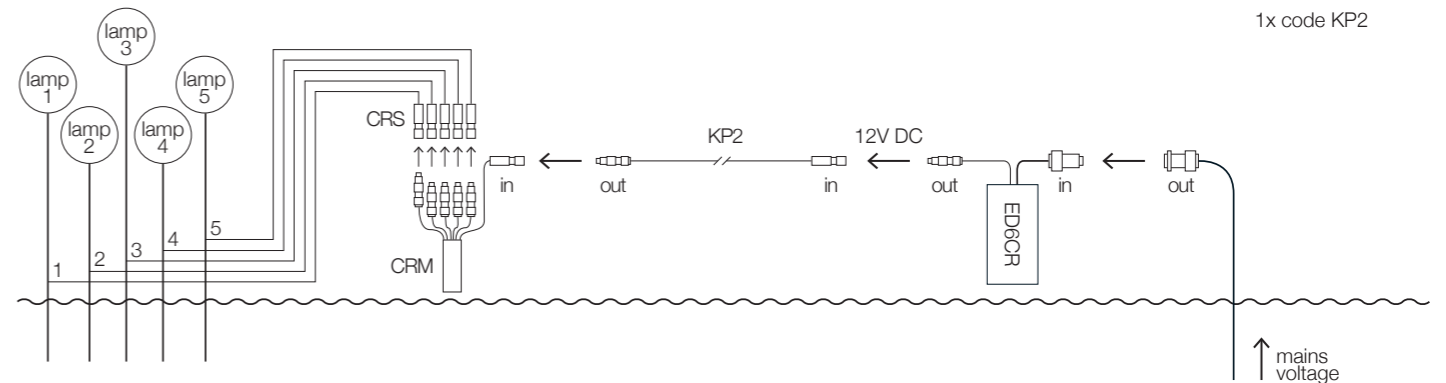


**Installation suggestions for Outdoor / GEL BOX system and QUICK CONNECTORS system**

4	Connection type	For models	Power supply	Access. applied
	GEL BOX system (with well)	More (MR70/MR100/MR130)	provided by client	1x code MB2 1x code MSPT 3x code MPT



5	Connection type	For models	Power supply	Access. applied
	QUICK CONNECTORS system	Syphasera/Syphasera/Syphaduepassi/More	code ED6CR	1x code ED6CR 1x code CRM 5x code CRS 1x code KP2



6	Connection type	For models	Power supply	Access. applied
	QUICK CONNECTORS system	Syphasera/Syphasera/Syphaduepassi/More	code ED7CR	1x code ED7CR* 2x code CRM 9x code CRS *without plug cable, with mains voltage connectors

